

# Pixell 46" High Resolution HD Direct View LCD



## Bigger, better direct-view LCD

The Clarity Bay Cat X is a 46" display that represents the cutting-edge of direct-view LCD technology. It combines ultra-high resolution and unparalleled image quality with configurable I/O in a large format for a wide range of digital signage and mission-critical applications. And its available protective front faceplate ensures durability. When space is tight, there is no better display.

### Features

**Flat panel form factor**  
less than 4" deep

**Ultra high resolution**  
1920 x 1080

**Long backlight life**  
Intelligent sensor adjusts back-  
light to lighting conditions

**Lower cost of ownership than plasma**  
Lightweight, low power, long life

**Integration-ready design**  
metal enclosure, unobtrusive I/O,  
integrated wall mount

**Image quality in any environment**  
170° viewing angle, anti-reflective/  
anti-glare protective glass faceplate

**More than a television**  
Configurable I/O, mounting  
and networking options

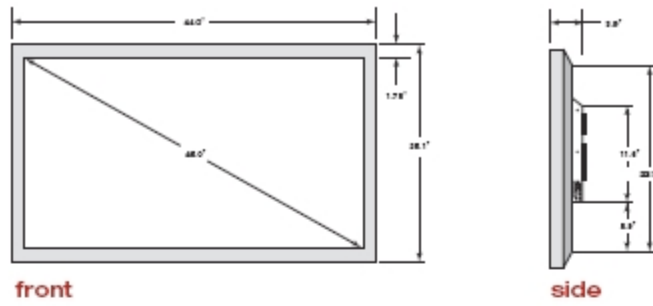
**Intelligence and flexibility**  
Message In Picture (MIP)  
Integrated Big Picture™

### Bay Cat X (SN-4620-1080)

Display resolution	1920 x 1080
Aspect ratio (W:H)	16:9
Screen dimensions	
Diagonal	46.0" (116.8 cm)
Width by height	40.1" x 22.6" (101.9 cm x 57.4 cm)
Cabinet dimensions (WxHxD)	44.0" x 26.1" x 3.9" (111.8 cm x 66.3 cm x 9.9 cm)
Screen brightness	450 nits (131 fL)
Response time	8 msec
Contrast ratio (full field)	900:1
Viewing angle	170° (+/-85° H and V)
Colors	16.7 million
Color gamut	>70% NTSC, >100% EBU
Weight*	73 lbs (33 kg)
Backlight type	Fluorescent
Backlight life (1/2 brightness)	60,000 hours
Line Voltage	100-120V, 200-240V @ 50/60Hz (auto switching)
Power consumption	~275 watts
Rear ventilation required	0" - wall mountable
Operating temperature	32-86° F (0-30° C)
Operating humidity	20-80% non-condensing
Safety regulations	Complies with UL, cUL, FCC Class A, CISPR22/85, CE (Designed to meet EN60950)
Display technology	Direct view AP/LCD™
Data input (base model)	Analog VGA (640 x 480) to UXGA (1600 x 1200) 480p-1080i on HD15 connector Maximum pixel clock 175MHz
Video input (video model)	Composite video (NTSC, PAL, SECAM) RCA x1 S-Video (NTSC, PAL) on Mini DIN 4-pin connector DVI (VGA-1080p) maximum pixel clock 165MHz Component (Interlaced NTSC, PAL, SECAM) RCA x3
Frame lock	50-65Hz
Display control	RS-232 (with loop through) and IR remote
Ambient noise	<35 dB
Accessories	Mounting bracket (standard) CPU storage wall mount (optional) Wall/ceiling mounts, table/floor stands (optional)
WallNet™	Supported
MIP	Supported
Big Picture™	Integrated

\* Weight and dimensions are approximate.

## Product dimensions



---

## Modular input/output



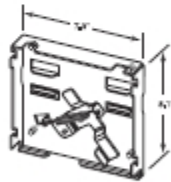
**base model**  
(SN-4620-1080/D)



**video model**  
(SN-4620-1080/V)

---

## Accessories



**locking mounting bracket**  
(ships standard)



**display feet (2)**  
(FT-4035-X)

