

# Pixell c67X Video Wall Display



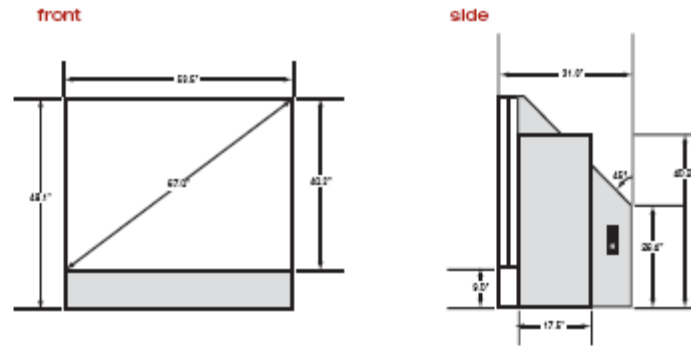
Clarity c67X		
Display resolution	1024 x 768 (XGA)	
Aspect ratio (W:H)	4:3	
Screen dimensions		
Diagonal	67" (170.2 cm)	
Width by height	59.5" x 40.2" (195.9 cm x 102.2 cm)	
Cabinet dimensions (WxHxD)	59.5" x 40" x 31.5" (195.9 cm x 124.5 cm x 80 cm)	
Maximum stack height	2 (with restraints); higher with supports	
Screen type	Wide-view (WV)	High-bright (HB)
Full viewing angle	180°	180°
Viewing angle (1/2 gain)	± 98° WH	± 10° V; ± 39° H
Viewing angle (1/5 gain)	± 70° WH	± 18° V; ± 48° H
Border (typical)	0	0
Screen to screen gap	< 0.7mm	< 0.7mm
Brightness* (typical)	98 nits	980* nits
Contrast ratio (full field)	1500:1	
Brightness uniformity	95% (typical)	
Contrast ratio (full field)	1500:1	
Weight**	165 lbs / 75kg	
Lamp type	120 watt UHP	
Lamp life	8,000 hours (typical)	
Power consumption	300w max	
Serviceability	Full front and rear access	
Colors	16.7 million	
Color gamut	100% EBU	
Operating temperature	32-104°F (0-40°C)	
Operating humidity	20-80% non-condensing	
Safety regulations	Complies with UL, cUL, FCC Class A, CISPR22/25, CE (Designed to meet EN60950)	
Display technology	DLP, single chip 0.7" DMD	
Data input (standard)	VGA to UXGA (UXGA@60Hz)	
Analog	2x HD15 (supports 420p, 480p, 720p, 1080 HD formats and RGBHV) with loop through	
Digital	DVI-D with loop through	
Video Inputs (optional)	NTSC/PAL/SECAM Composite (NTSC/PAL/SECAM) with loop out Component-HD (3 x RCA) with loop out S-Video (NTSC/PAL) with loop out	
Ambient noise	36 dB	
Display control	IR and RS232, RS485 with loop through	
WallNet™	Supported	
Big Picture™	Supported	

\*Specified with white boost on. With white boost off, the brightness is reduced.

\*\*Weight and dimensions are approximate. Specifications and design are subject to change without notice. The product may be subject to export control regulations.

# Pixell c67X Video Wall Display

## c67X Product Dimensions



## c67X Accessories

**Video Input Module (VIM-c67X)** – Internal video decoder designed to accept standard definition (NTSC, PAL, SECAM) video signals. Includes component, composite and S-Video connectivity.

**Big Picture Module (BP-c67X)** – The Big Picture functionality offers on-board and/or full-magnification wall processing capabilities.

**WallNet (N1010)** – Enables interactive and automated status and health monitoring of installed displays.

