



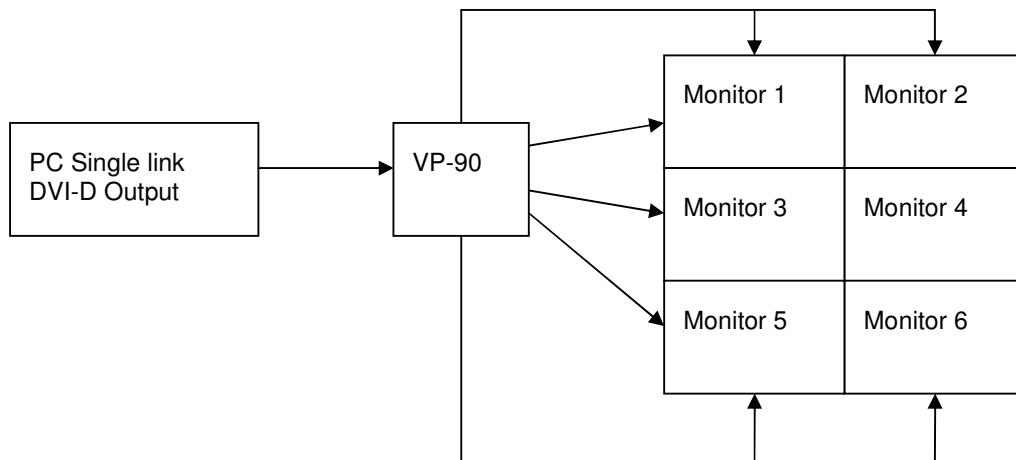
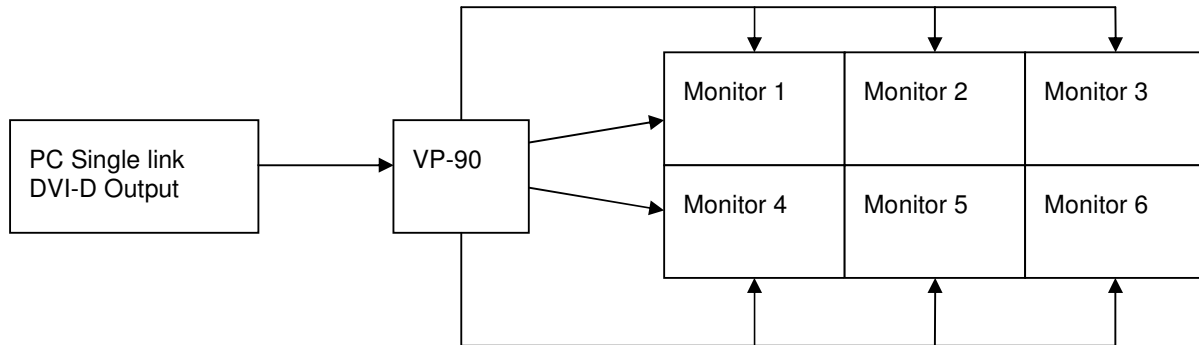
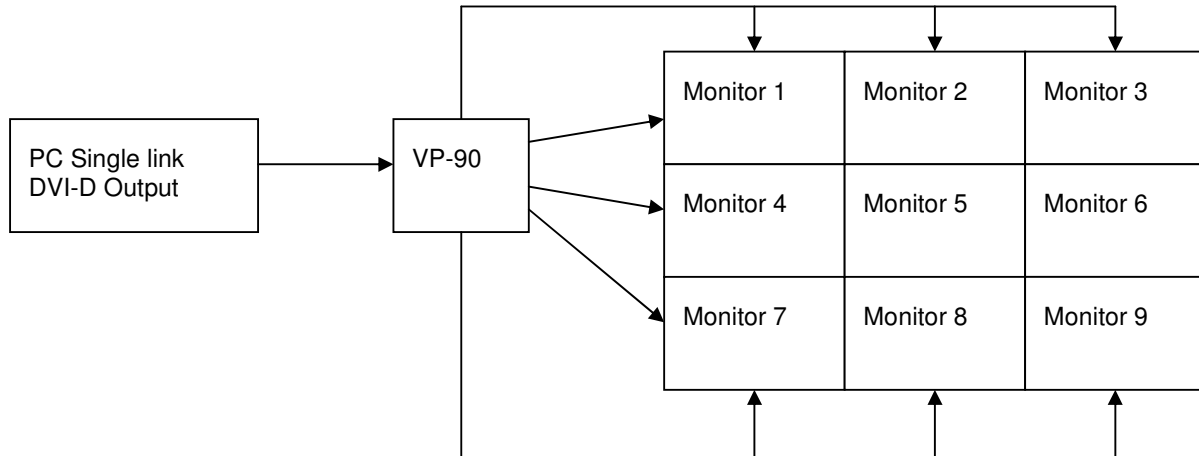
VP-90 Video Processor





Introduction

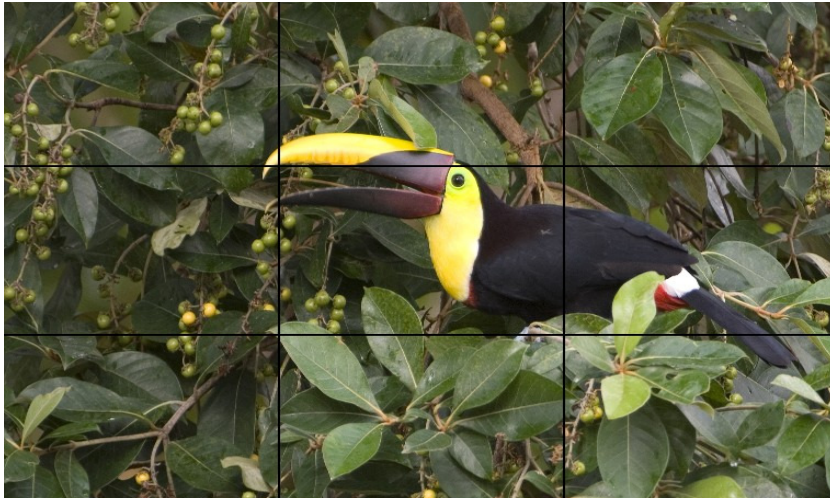
The Pixell VP-90 is an economical display wall controller that connects to the DVI digital output of any PC and stretches the image across 6 or 9 screens. Each screen displays a sixth or ninth of the original computer image in a 3x3, 3x2 or 2x3 format as shown below. It is a hardware device that runs in real time with no operating system.



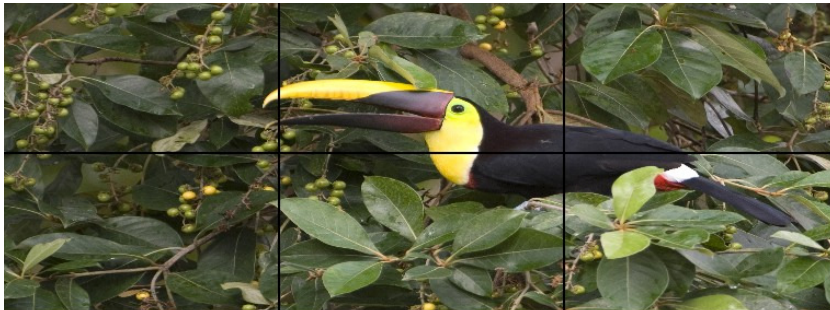


Description

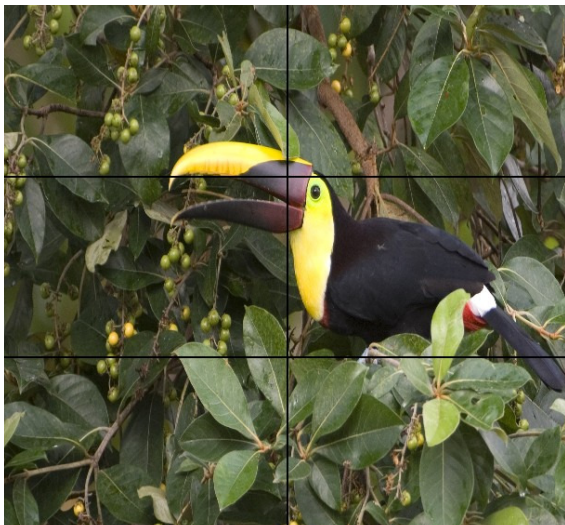
The VP-90 will accept any resolution below and scale that image across 9 displays in a 3x3 array, or 6 displays in a 3x2 or 2x3 array. In addition it can show the input signal in a 1x1 format showing the input signal on each display as below.



3 x 3 Array



3 x 2 Array



2 x 3 Array



1 x 1 Duplicate mode

The VP-90 allows for mullion compensation. When displays such as LCD's with bezels (borders) on each monitor are used, and they are tiled as above, a gap between each image is created, this is called a mullion.

The VP-90 allows you to adjust for the mullion so diagonal lines stay in proportion. This is done with the built in menu system where resolution, array shape, and other such details are set appropriate to the installation.



Resolution Table

Input Resolution DVI single link	Output Resolution DVI each display
640 x 480	1024 x 768
800 x 600	1360 x 768
1024 x 768	1366 x 768
1280 x 768	1280 x 1024



1360 x 768	1400 x 1050
1366 x 768	1680 x 1050
1152 x 864	1600 x 1200
1440 x 900	1920 x 1080
1280 x 960	1920 x 1200
1680 x 1050	
1600 x 1200	
1920 x 1080	
1920 x 1200	
	Mullion compensation up to 20% of screen.

VP-90 Physical Dimensions	295mm (11.6") wide x 65mm (2.55") high x 192mm (7.55") deep
Operating Temperature Range	32 - 95 DegF
Power Requirements	12 volts DC, 25 watts
Cooling	The unit contains 2 cooling fans. The input and output vents should not be restricted.
VGA Input	1 x DVI-D digital connector
Display outputs	9 x DVI-D digital connectors
Gen-Lock input/output	2 x RCA connectors. TTL voltage levels
Power connector	5.5mm barrel connector, locking
VP-90-PSU	Included
VP-90-PSU Physical Dimensions	50mm (1.96") wide x 30mm (1.18") high x 112mm (4.40") deep.
Input power	100-240VAC 50-60 Hz World wide power supply, 40 watts.
Operating Temperature Range	32 - 95 DegF
Output power	12V DC at 3.3 amps (max)

Pixell USA

888-7469-3551

Sales@pixell.com Support@pixell.com