

Pixell c50X Video Wall Display



High-value performance for space-constrained visual walls

The c50X is a 50" rear-projection cube incorporating single-chip DLP® technology for optimum-price performance in visual wall applications. It combines high image quality, a versatile format, seamless screens with two options, and easy setup in an open system that can be used with virtually any image processor on the market.

Features

Common resolution
XGA (1024 x 768)

Efficient design
A 50" cube with minimal rear-clearance

Color purity
High brightness and color performance (DLP)

Compact design
Overpressure cube prevents dust penetration

Continuous image
Seamless screen options and Big Picture image processing

Easy set-up
Motorized alignment with IR remote

Fast serviceability
Front and rear access to all components

c50X - PRELIMINARY SPECIFICATIONS

Display resolution	1024 x 768
Aspect ratio (W:H)	4:3
Screen dimensions	
Diagonal	50.0" (1270 mm)
Width by height	40.0" x 30.0" (1016 mm x 762 mm)
Cabinet dimensions (WxHxD)	40.0" x 37.9" x 24.0" (1016 mm x 962 mm, 610 mm)
Screen type	HB (High Brightness) or WA (Wide Angle)
Viewing angle WA	+/- 67.5 degrees (H/V) to 1/5 gain
Viewing angle HB	+/- 45 degrees horizontal and +/- 17 degrees vertical
Brightness* WA screen	175* nit
Brightness* HB screen	660* nit
Maximum stack height	2 (with restraints); higher with supports
Screen Border (mullion)	0.35mm
Brightness uniformity	95% (typical)
Contrast ratio (full field)	1500:1
Weight**	102 lbs / 46kg
Lamp type	120w UHP
Lamp life	8,000 hours (typical)
Power consumption	300w Max
Serviceability	Full front and rear serviceability
Colors	16.7 million
Color gamut	100% EBU
Operating temperature	32-104° F (0-40° C)
Operating humidity	20-80% non-condensing
Safety regulations	Complies with UL, cUL, FCC Class A, CISPR22/85, CE (Designed to meet EN50950)
Display technology	DLP, single chip 0.7" DMD
Data input (standard)	VGA to UXGA (UXGA@60Hz)
Analog	2 x HD15 (supports 420p, 480p, 720p, 1080i HD formats and RGBHV) - with loop through
Digital	DVI-D - with loop through
Video (optional)	NTSC/PAL/SECAM, HD 480p-1080i
Inputs	Composite (NTSC/PAL/SECAM) with loop out Component-HD (3 x RCA), S-Video (NTSC/PAL) with loop out
Ambient noise	36dB
Cube control	IR and RS232
WallNet™	Supported
Clarity's Big Picture™	Supported

*Specified with white boost on. With white boost off, the brightness is reduced.

**Weight and dimensions are approximate. Specifications and design are subject to change without notice. This product may be subject to export control regulations.

Pixell c50X Video Wall Display

Accessories

Video Input Module (VIM-c50X) – Internal scan converter designed to accept standard definition (NTSC, PAL, SECAM) and HD (480p & 1080i) video signals. Includes component, composite and S-Video connectivity.

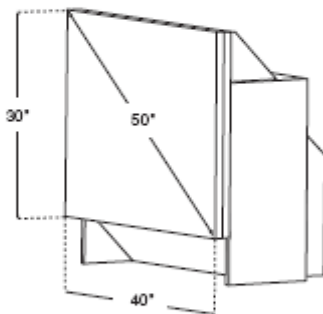
Clarity's Big Picture Module (BP-c50X) – The Big Picture functionality offers on-board, full-magnification wall processing capabilities or either.

WallNet (N1010) – Enables interactive and automated status and health monitoring of installed Clarity displays.

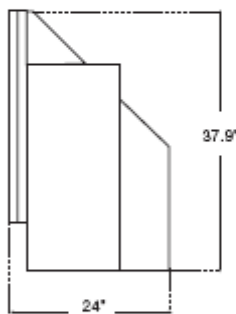
BAS-c50X-Base for c50X from 34.8-37" (standard) – Base units are required for bottom row of stacked wall.

Views

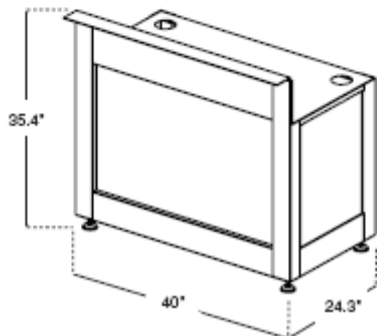
front



side



base



Pixell 888-749-3551 www.pixell.com